

Neo-Dyn® Series 105P/105PP Pressure Switch/Miniature Tamper Proof

All purpose miniature tamper proof switch, extremely light weight and durable construction. Has efficient Nega-Rate® Belleville disc spring sensing mechanism. Small size improves vibration and shock resistance.

Operating Pressure Data

Series	Fixed Set Point Range		Deadband (minimum)	Maximum Recommended System Pressure	Proof Pressure
	Increasing	Decreasing			
105P	5 to 600	2 to 540	3 or 10% *	1500	3000
105P (5 wetted material)	15 to 130	10 to 110	5 or 15% *	250	500
105P (5 wetted material)	30 to 100	22 to 75	25%	1500	3000
105P (5 wetted material)	101 to 600	76 to 510	15%	1500	3000
105PP	601 to 2000	511 to 1700	15%	3000	5000

All values given in psig.

* Whichever is greater

Standard Specifications

Deadband (Differential)

The deadband can be selected anywhere from the minimum indicated to a maximum of 45% of the set point.

Electrical Connection

PVC insulated 18 AWG leads 18" long

Pressure Connection

1/4 NPT Male

Temperature Range*

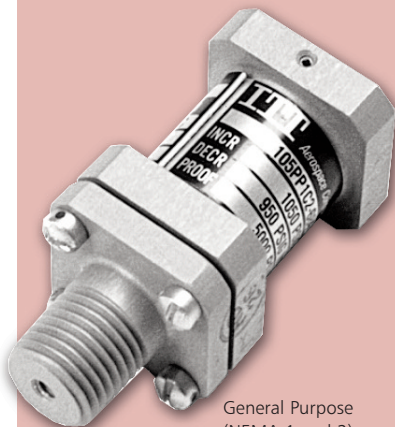
Ambient: -40°F to +180°F
(-40°C to +82°C)

Media: -40°F to +300°F
(-40°C to +149°C)

*Temperature limits change with O-Ring selection

Shipping Weight

Approximately 3 ounces



General Purpose
(NEMA 1 and 2)

Ordering Sequence — Select desired option for each category

OPTIONS

Wetted Material

- 1 Aluminum port, polyimide diaphragm and Buna-N O-Ring
- 4 316 stainless steel port, polyimide diaphragm and Buna-N O-Ring
- 5 316 stainless steel port and diaphragm heliarc welded (N/A on 105PP)

Electrical Form

C Enclosure 2 and 5 7 amp at 125/250 VAC; 7 amp resistive, 4 amp inductive at 28 VDC

CC Enclosure 2 only 7 amp at 125/250 VAC; 7 amp resistive, 4 amp inductive at 28 VDC

Enclosure

- 2 Meets or exceeds requirements of NEMA Type 1 and 2
- 5 Hermetically sealed electrical assembly [Suitable for all Division 2 hazardous locations] (Wetted Material 1 and 4 only)

Miscellaneous

- B** Viton O-Ring
- C** EPR O-Ring
- M** Gold electrical contacts for extremely low current applications
- R** 72" Electrical free leads

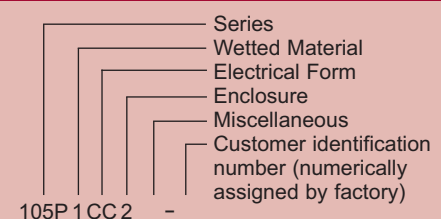
Special (Consult representative or factory)

- Pressure port per SAE AS4395E04
- Electrical connection per MS33678-10SL-3P
- Non-catalog set point, deadband and/or proof pressure
- Media temperature capability from -65°F to +400°F

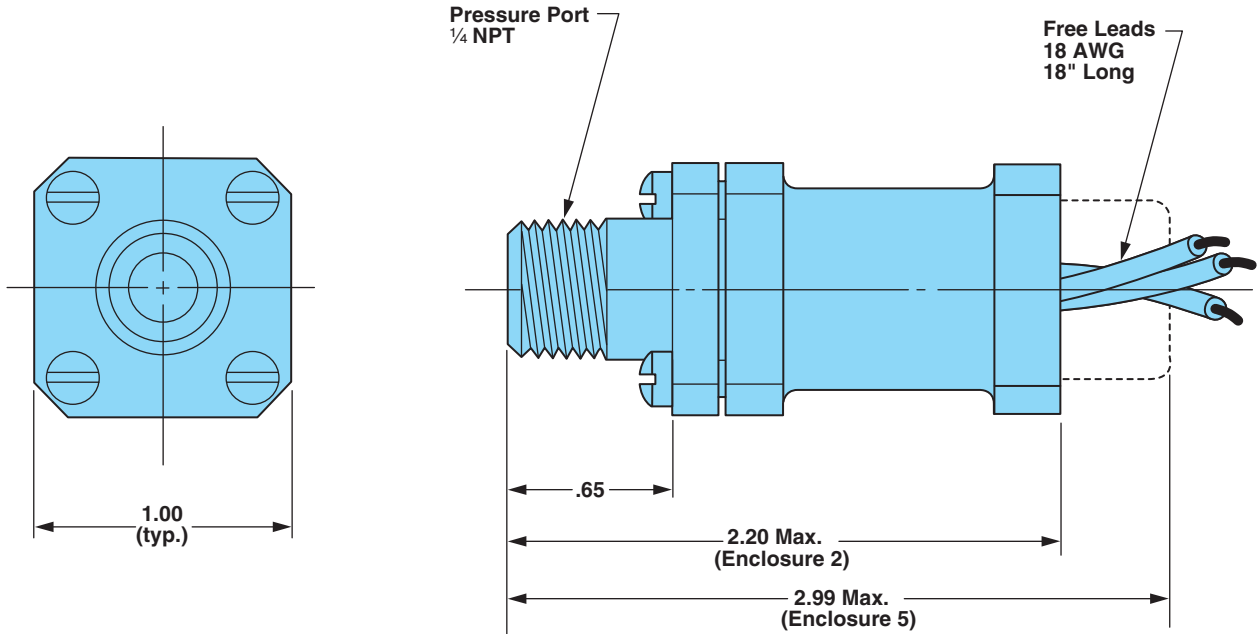
Ordering Procedure

- Specify set point, increasing or decreasing
- Specify deadband if pertinent and if not, specify as 'open'
- Specify system pressure
- Specify proof pressure
- Specify media
- Insert available 'option' number or letter designation as required

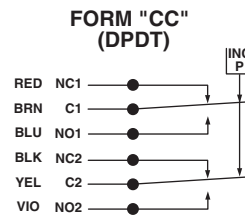
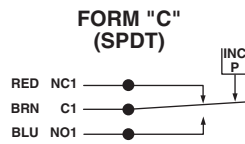
Example



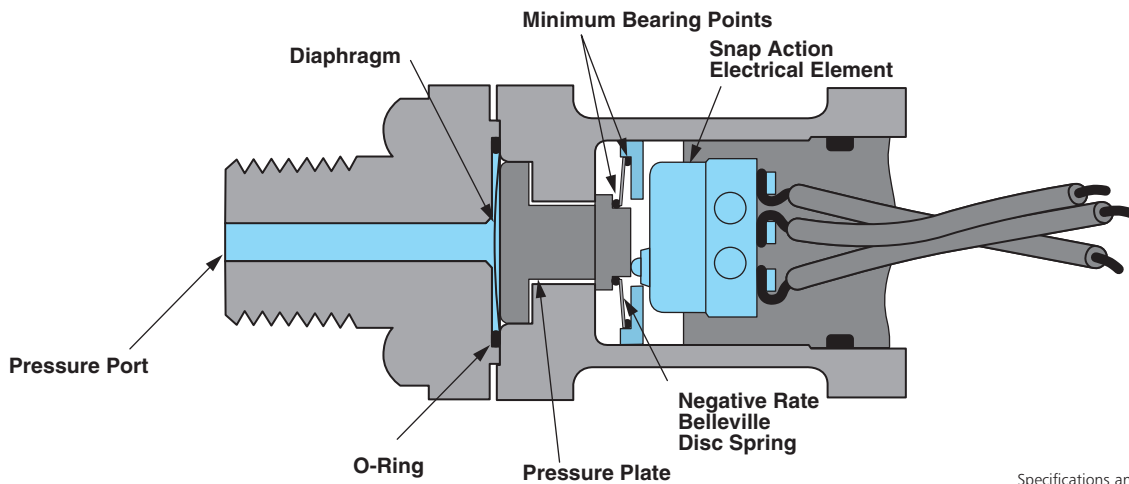
Envelope Dimensions



Electrical Form



Basic Principles of Design



AER0935_10 6/12

Specifications and dimensions subject to change.