

## Neo-Dyn® Series 115P/115PP Pressure Switch/Tamper Proof

Compact, versatile pressure switch with built to order set points. This easy to install switch features the efficient Nega-Rate® Belleville disc spring for the set and forget application.

### Operating Pressure Data

Series	Fixed Set Point Range		Maximum Recommended System Pressure	Proof Pressure
	Increasing	Decreasing		
115P	2 to 70	1.5 to 64	Up to 600	Up to 1000
115PP	71 to 250	65 to 220	Up to 600	Up to 1000

All values given in psig.

### Standard Specifications

#### Deadband (Differential)

The deadband can be selected anywhere from 1.5 psig or 8% (whichever is greater) to 45% of the set point

#### Electrical

Snap action electrical switch assemblies, Part Numbers 057-0770 & 057-0772 (Form C) and 057-0771 & 057-0773 (Form CC), are listed by Underwriters' Laboratories, Inc., FM Approvals, CSA International and NCC (INMETRO). See the miscellaneous option N for additional listings.

#### Electrical Connection

1/2 NPT male conduit connection with PVC insulated 18 AWG, 18" long leads

#### Pressure Connection

1/4 NPT Male

#### Temperature Range\*

Ambient: -40°F to +180°F  
(-40°C to +82°C)

Media: -40°F to +300°F  
(-40°C to +149°C)

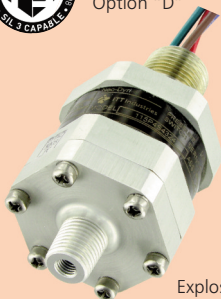
\*Temperature limits change with O-Ring selection. See Electrical Assembly specification sheet for Temperature Class Ratings.

#### Shipping Weight

Approximately 14 ounces



Order Miscellaneous Option "D"



Explosion Proof (NEMA 4X, 7, 9 and 13)

### Ordering Sequence — Select desired option for each category

#### OPTIONS

##### Set Points

**115P** between 1.5 psig dec. and 70 psig inc. (.10 bar dec. to 4.8 bar inc.)  
**115PP** between 65 psig dec. and 250 psig inc. (4.5 bar dec. to 17 bar inc.)

##### Wetted Material

**1** Aluminum port, Teflon coated polyimide diaphragm and Buna-N O-Ring  
**4** 316 Stainless steel port, Teflon coated polyimide diaphragm and Buna-N O-Ring

##### Electrical Form

**C** 11 amp, 1/4 hp at 125 or 250 VAC; 5 amp resistive, 3 amp inductive at 28 VDC; .5 amp resistive at 125 VDC  
**CC** 11 amp, 1/4 hp at 125 or 250 VAC; 5 amp resistive, 3 amp inductive at 28 VDC; .5 amp resistive at 125 VDC

##### Enclosure

**6** Includes an explosion proof, hermetically-sealed electrical assembly. EX d IIC. Division 1 and 2, Class I, Groups A, B, C, and D; Class II, Groups E, F, and G. NEMA 4X, 7, and 9; IP66. Leads are factory sealed and Pressure Switches are Dual Seal Certified.

##### Miscellaneous

**A** Epoxy paint exterior — extra protection for severe environments  
**B** Viton O-Ring — refer to Wetted Material  
**C** EPR O-Ring — refer to Wetted Material  
**D** SIL approval and marking, per IEC61508 (includes FMEA report)  
**H** 316 stainless steel housing  
**I** 3/4 NPT conduit box with terminal strip (Groups C & D only, not available with N option)  
**M** Gold electrical contacts for extremely low current applications (1 Amp at 125 VAC; 1 Amp Res, 0.5 Amp Ind. at 28 VDC)  
**N** ATEX and IECEx  
**R** 72" Electrical free leads  
**S** Stainless steel diaphragm (115P, Wetted Material 4 only. Not available on 115PP)  
**W** Stainless steel screws (automatically furnished with Miscellaneous Option A and Wetted Material 4)

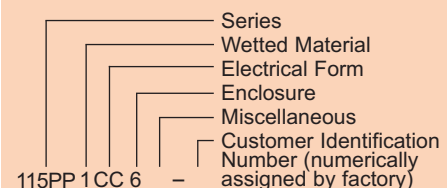
##### Special (Consult representative or factory)

- Pressure port per AS4395E04
- Electrical connection per MS33678-10SL-3P

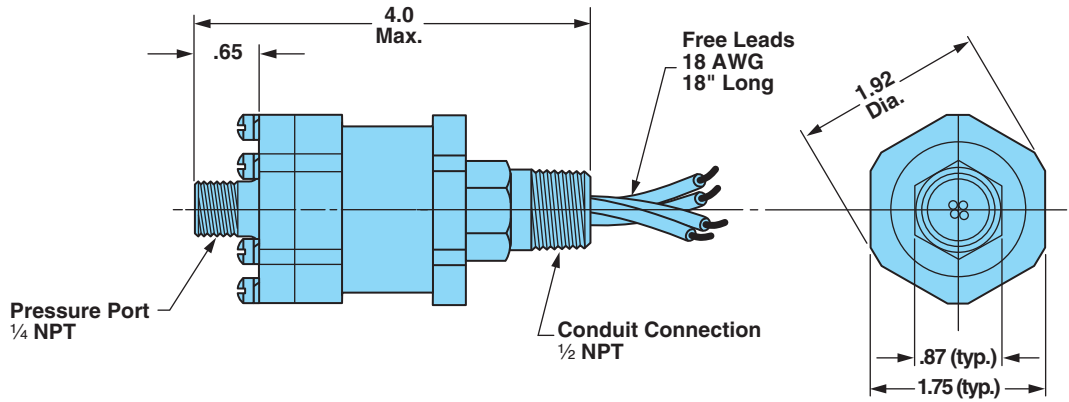
### Ordering Procedure

- Specify set point, increasing or decreasing
- Specify deadband if pertinent
- Specify system pressure
- Specify proof pressure
- Specify media
- Insert available option as required

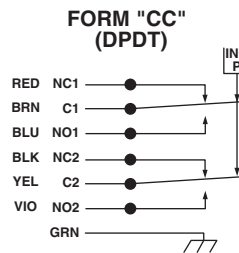
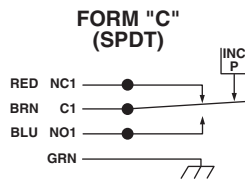
### Example



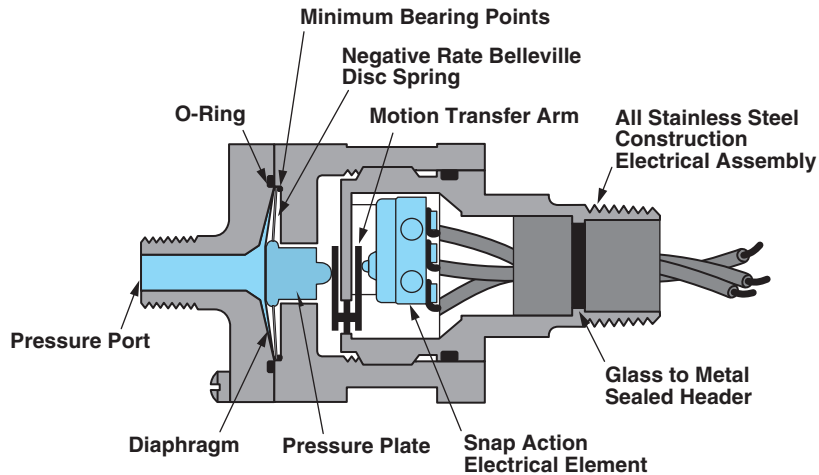
Envelope Dimensions



Electrical Form



Basic Principles of Design



AER0935\_15 7/13

Specifications and dimensions subject to change.

**Southgate Process Equipment, Inc.**

87 Hickory Springs Industrial Drive  
Canton, GA 30115  
Ph: (770) 345-0010

Email: [sales@southgatepe.com](mailto:sales@southgatepe.com)

Website: [www.southgatepe.com](http://www.southgatepe.com)

