

## Neo-Dyn® Series 131P Pressure Switch/Internal Adjustment

Compact, adjustable pressure switch for pneumatic and low impulse hydraulic process applications. Using our efficient Nega-Rate® Belleville disc spring, we offer superior set point stability and vibration resistance. The 131P series pressure switch also has a selectable deadband feature which can be preset to fit most any application.

### Operating Pressure Data

Adjustable Range Number	Adjustable Set Point Range		Selectable Deadband at a Specified Set Point	Default Deadband (approx.)	Maximum Recommended System Pressure	Proof Pressure
	Increasing	Decreasing				
2	*	1 to 24	1 to 1.5	1.4	1000	2000
3	*	17 to 42	3 to 5	4	1000	2000
4	*	1 to 50	7 to 11	9	1000	2000
5	*	45 to 100	7 to 11	9	1000	2000
6	*	90 to 150	9 to 17	13	1000	2000
7	*	140 to 200	11 to 21	16	1000	2000

All values given in psig unless otherwise noted.

\* Add selected deadband to decreasing pressure range.

### Standard Specifications

#### Electrical Listings

Snap action electrical switch assemblies, Part Numbers 057-0770 & 057-0772 (Form C) and 057-0771 & 057-0773 (Form CC), are listed by Underwriters' Laboratories, Inc., FM Approvals, CSA International and NCC (INMETRO). See the miscellaneous option N for additional listings.

#### Electrical Connection

1/2 NPT male conduit connection with PVC insulated 18 AWG, 18" long leads

#### Pressure Connection

1/4 NPT Female and 1/2 NPT Male

#### Temperature Range\*

Ambient: -40°F to +180°F  
(-40°C to +82°C)

Media: -40°F to +300°F  
(-40°C to +149°C)

\* Temperature limits change with O-Ring selection. See Electrical Assembly specification sheet for Temperature Class Ratings.

#### Adjustment

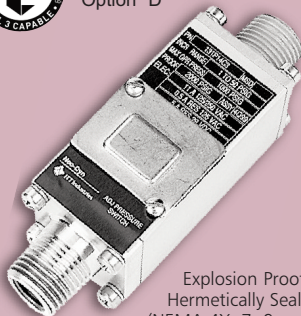
Internal, slotted adjustment wheel

#### Shipping Weight

Approximately 20 ounces



Order Miscellaneous Option "D"



Explosion Proof  
Hermetically Sealed  
(NEMA 4X, 7, 9 and 13)

### Ordering Sequence — Select desired option for each category

#### OPTIONS

##### Wetted Material

- 1 Aluminum port, polyimide diaphragm, Buna-N O-Ring
- 4 316 stainless steel port, polyimide diaphragm, Buna-N O-Ring

##### Adjustable Range

- 2 1 psig dec. to 25 psig inc. (.069 bar dec. to 1.72 bar inc.)
- 3 17 psig dec. to 46 psig inc. (1.17 bar dec. to 3.17 bar inc.)
- 4 1 psig dec. to 59 psig inc. (.069 bar dec. to 4.07 bar inc.)
- 5 45 psig dec. to 109 psig inc. (3.10 bar dec. to 7.51 bar inc.)
- 6 90 psig dec. to 163 psig inc. (6.21 bar dec. to 11.2 bar inc.)
- 7 140 psig dec. to 216 psig inc. (9.65 bar dec. to 14.9 bar inc.)

##### Electrical Form

- C 11 amp, 1/4 hp at 125 or 250 VAC; 5 amp resistive, 3 amp inductive at 28 VDC; .5 amp resistive at 125 VDC
- CC 11 amp, 1/4 hp at 125 or 250 VAC; 5 amp resistive, 3 amp inductive at 28 VDC; .5 amp resistive at 125 VDC

##### Enclosure

- 6 Includes an explosion proof, hermetically-sealed electrical assembly. EX d IIC. Division 1 and 2, Class I, Groups A, B, C, and D; Class II, Groups E, F, and G. NEMA 4X, 7, and 9; IP66. Leads are factory sealed and Pressure Switches are Dual Seal Certified.

##### Miscellaneous

- A Epoxy paint exterior — extra protection for severe environments
- B Viton O-Ring
- C EPR O-Ring
- D SIL approval and marking, per IEC61508 (includes FMEA report)
- E 7/16" - 20 SAE Female Port
- G 1/2 NPT Female Port
- H 316 stainless steel body (Wetted Material 4 only)
- I 3/4 NPT conduit box with terminal strip (Groups C & D only, not available with N option)
- J Annealed stainless steel port screws for H<sub>2</sub>S environments — Consult factory for reduced system and proof pressure ratings (Not available with Z option)
- M Gold electrical contacts for extremely low current applications (1 Amp at 125 VAC; 1 Amp Res, 0.5 Amp Ind. at 28 VDC)
- N ATEX and IECEx with CE Mark
- R 72" Electrical free leads
- S Stainless steel diaphragm
- V 1/4 NPT male port
- Z Mounting bracket kit (Not available with J option)

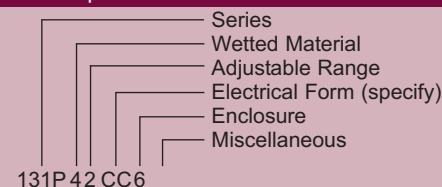
#### Special (Consult representative or factory)

- Non-catalog adjustable range and/or set point, deadband and proof pressure

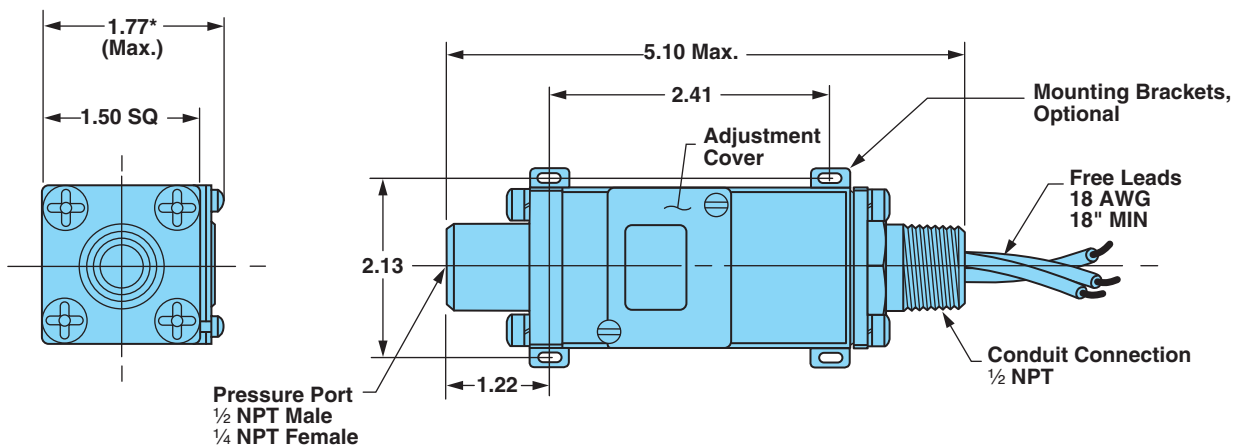
### Ordering Procedure

- When factory presetting is desired, stipulate set point, increasing or decreasing
- Insert available option number or letter designation as required
- When a selectable DB is desired, stipulate DB within allowed range

### Example

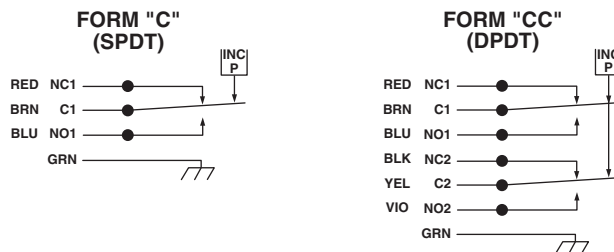


Envelope Dimensions

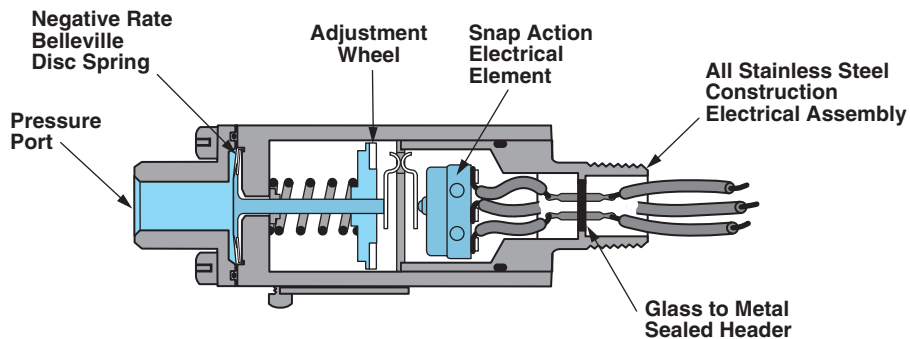


\*1.90 Max. with Mounting Bracket

Electrical Form



Basic Principles of Design



AER0935\_24 11/14

Specifications and dimensions subject to change.