

Neo-Dyn® Series 132TC Temperature Switch/Internal Adjustment

Compact, adjustable temperature switch featuring the efficient Nega-Rate® Belleville disc spring for set point stability and vibration resistance. Available with all stainless steel exterior and interior construction together with a hermetically sealed, explosion-proof electrical assembly. Ideally suited for applications involving hazardous and corrosive medias or environments. Comes with capillary for remote mount up to 25 feet.

Operating Temperature Data

Adjustable Range	Adjustable Set Point Range		Deadband† (approx) Bottom/Top		Proof Temperature	
	Increasing °F	Decreasing °F	°F	°C	°F	°C
B	-50 to +30	-69 to +26	19/4	11 / 2	250	121
D	+30 to +125	+7 to +121	23/4	13 / 2	300	149
F	+95 to +200	+70 to +196	25/4	14 / 2	400	204
H	+115 to +230	+89 to +224	26/6	14 / 3	400	204
J	+175 to +300	+146 to +294	29/6	16 / 3	500	260
L	+260 to +360	+236 to +356	24/4	13 / 2	500	260
N	+290 to +395	+263 to +391	27/4	15 / 2	500	260
P	+365 to +480	+338 to +476	27/4	15 / 2	600*	315
R	+485 to +655	+445 to +646	40/9	22 / 5	750*	399

†Deadband decreases as the adjustable set point is increased. For narrow deadband select set point in upper half of adjustable range.

*Thermowell required for temperatures above 500°F.

Standard Specifications

Electrical

Snap action electrical switch assemblies, Part Numbers 057-0770 & 057-0772 (Form C) and 057-0771 & 057-0773 (Form CC), are listed by Underwriters' Laboratories, Inc., FM Approval, CSA International and NCC (INMETRO). See the miscellaneous option N for additional listings.

Electrical Connection

1/2 NPT male conduit connection with PVC insulated 18 AWG, 18" long leads

Process Connection

1/2 NPT Male
Remote mount
Stainless steel 6' capillary with armor jacket, 10" minimum bendable tubing and 1/2" adjustable gland nut. Optional capillary lengths available.

System Pressure

1500 psig maximum

Proof Pressure

2250 psig

Adjustment

Internal, slotted adjustment nut with range scale

Temperature Range

Ambient: -40°F to +180°F
(-40°C to +82°C)

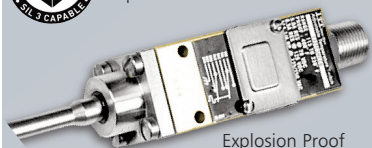
See Electrical Assembly specification sheet for Temperature Class Ratings.

Shipping Weight

Approximately 3.5 pounds



Order Miscellaneous Option "D"



Explosion Proof
Hermetically Sealed
(NEMA 4X, 7, 9 and 13)

Ordering Sequence — Select desired option for each category

OPTIONS

Wetted Material

5 300 stainless steel, graphite filled non-asbestos packing

Adjustable Range

B -69°F dec. to +30°F inc. (-56°C dec. to -1°C inc.)
D +7°F dec. to +125°F inc. (-14°C dec. to 52°C inc.)
F +70°F dec. to +200°F inc. (21°C dec. to 93°C inc.)
H +89°F dec. to +230°F inc. (23°C dec. to 110°C inc.)
J +146°F dec. to +300°F inc. (63°C dec. to 149°C inc.)
L +236°F dec. to +360°F inc. (113°C dec. to 182°C inc.)
N +263°F dec. to +395°F inc. (128°C dec. to 202°C inc.)
P +338°F dec. to +480°F inc. (170°C dec. to 249°C inc.)
R +445°F dec. to +655°F inc. (229°C dec. to 346°C inc.)

Electrical Form

C 11 amp, 1/4 hp at 125 or 250 VAC; 5 amp resistive, 3 amp inductive at 28 VDC; .5 amp resistive at 125 VDC
CC 11 amp, 1/4 hp at 125 or 250 VAC; 5 amp resistive, 3 amp inductive at 28 VDC; .5 amp resistive at 125 VDC

Enclosure

6 Includes an explosion proof, hermetically-sealed electrical assembly. EX d IIC. Division 1 and 2, Class I, Groups A, B, C, and D; Class II, Groups E, F, and G. NEMA 4X, 7, and 9; IP66. Leads are factory sealed and Pressure Switches are Dual Seal Certified.

Miscellaneous

A Epoxy paint exterior — extra protection for severe environments
D SIL approval and marking, per IEC61508 (includes FMEA report)
H 316 stainless steel body
I 3/4 NPT conduit box with terminal strip (Groups C & D only, not available with N option)
J Annealed stainless steel port screws for H₂S environments
M Gold electrical contacts for extremely low current applications
N ATEX and IECEx with CE Mark
R 72" Electrical free leads

Optional Capillary Lengths

10', 15', 20' and 25' lengths available
(insert appropriate number at end of model number — see Example)

Special (Consult representative or factory)

- Thermowells
- Non-catalog adjustable range and/or set point and deadband

Ordering Procedure

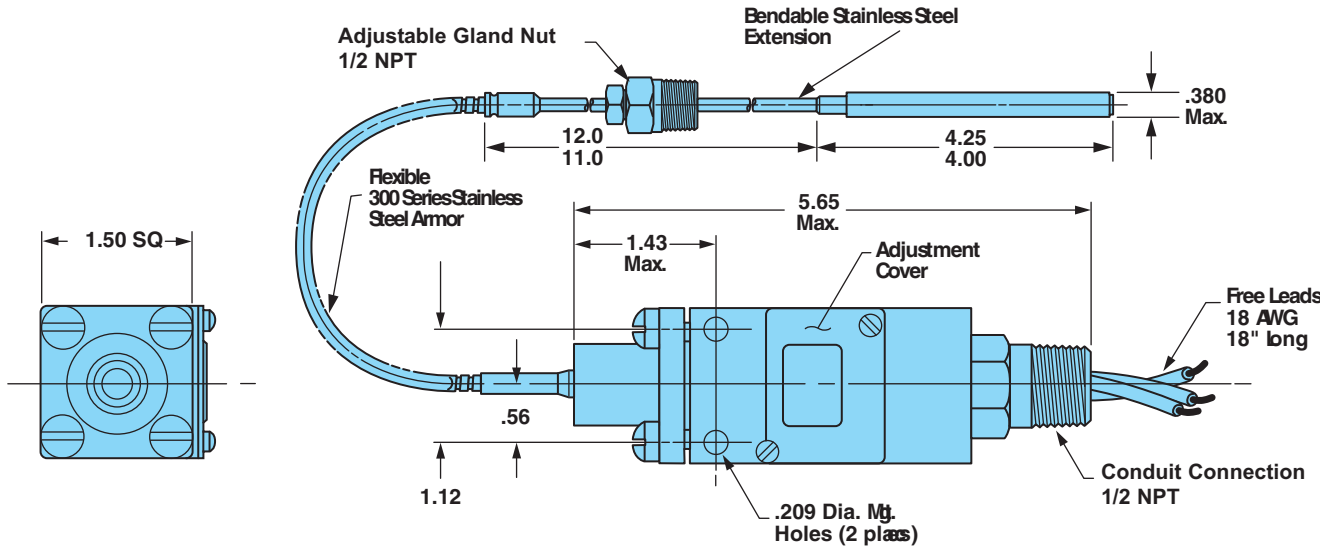
- When factory presetting is desired, stipulate set point, increasing or decreasing
- Insert available option number or letter designation as required

Example

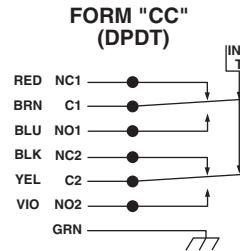
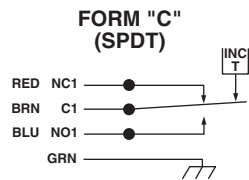
132TC5B CC6

Series
Wetted Material
Adjustable Range
Electrical Form
Enclosure
Miscellaneous
Optional Capillary Length

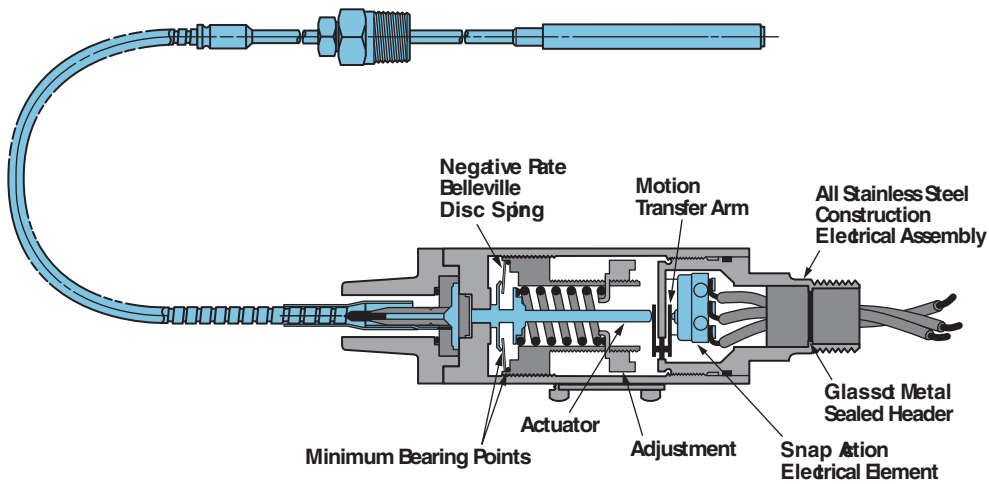
Envelope Dimensions



Electrical Form



Basic Principles of Design



AER0935_28 7/13

Specifications and dimensions subject to change.