

## Neo-Dyn® Series 151P Differential Pressure Switch

Low range adjustable differential pressure switch compact design features efficient Nega-Rate® Belleville disc spring sensing mechanism. Stable set points are not affected by system pressure changes.

### Operating Pressure Data

Adjustable Range Number	Adjustable Set Point Range		Deadband (approximate)	Maximum Recommended System Pressure	Proof Pressure
	Increasing	Decreasing			
2	9 To 50 " H <sub>2</sub> O	5 To 46 " H <sub>2</sub> O	4" H <sub>2</sub> O	100 psid	150 psid
4	50 To 100 " H <sub>2</sub> O	41 To 91 " H <sub>2</sub> O	9" H <sub>2</sub> O	100 psid	150 psid
6	100 To 150 " H <sub>2</sub> O	88 To 138 " H <sub>2</sub> O	12" H <sub>2</sub> O	100 psid	150 psid

### Standard Specifications

#### Electrical

Snap action electrical switch assemblies, Part Numbers 057-0770 & 057-0772 (Form C) and 057-0771 & 057-0773 (Form CC), are listed by Underwriters' Laboratories, Inc., FM Approvals, CSA International and NCC (INMETRO). See the miscellaneous option N for additional listings.

#### Electrical Connection

1/2 NPT male conduit connection with PVC insulated 18 AWG, 18" long leads

#### Pressure Connections

7/16"-20 SAE Female

#### Temperature Range\*

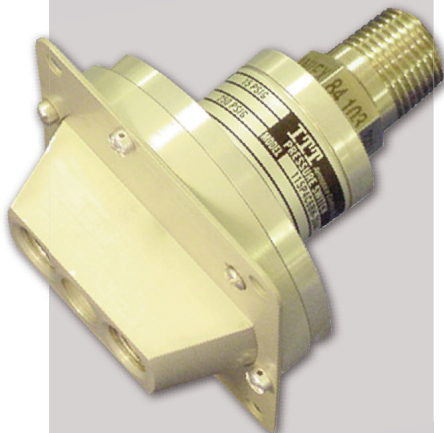
Ambient: -30°F to +160°F  
(-34°C to +71°C)

Media: -30°F to +160°F  
(-34°C to +71°C)

\* Temperature limits change with O-ring selection. See Electrical Assembly specification sheet for Temperature Class Ratings.

#### Shipping Weight

Approximately 20 ounces



Explosion Proof  
Hermetically Sealed  
(NEMA 4X, 7, 9 and 13)

### Ordering Sequence — Select desired option for each category

#### OPTIONS

##### Wetted Material

1 Aluminum and stainless steel, Teflon coated polyimide diaphragm, Buna-N O-Rings

##### Adjustable Range

2 5" H<sub>2</sub>O decreasing to 50" H<sub>2</sub>O increasing  
4 41" H<sub>2</sub>O decreasing to 100" H<sub>2</sub>O increasing  
6 88" H<sub>2</sub>O decreasing to 150" H<sub>2</sub>O increasing

##### Electrical Form

C 11 amp, 1/4 hp at 125 or 250 VAC; 5 amp resistive, 3 amp inductive 28 VDC;  
.5 amp resistive 125 VDC  
CC 11 amp, 1/4 hp at 125 or 250 VAC; 5 amp resistive, 3 amp inductive 28 VDC;  
.5 amp resistive 125 VDC

##### Enclosure

6 Includes an explosion proof, hermetically-sealed electrical assembly, EX d IIC. Division 1 and 2, Class I, Groups A, B, C, and D; Class II, Groups E, F, and G. NEMA 4X, 7, and 9; IP66. Leads are factory sealed and Pressure Switches are Dual Seal Certified.

##### Miscellaneous

A Epoxy paint exterior — extra protection for severe environments  
B Viton O-Ring  
C EPR O-Ring  
M Gold electrical contacts for extremely low current applications  
N ATEX and IECEx  
R 72" Electrical free leads  
I 3/4 NPT conduit box with terminal strip (Groups C & D only, not available with N option)

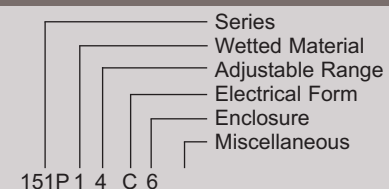
##### Special (Consult representative or factory)

- Non-catalog set point, deadband and/or proof pressure

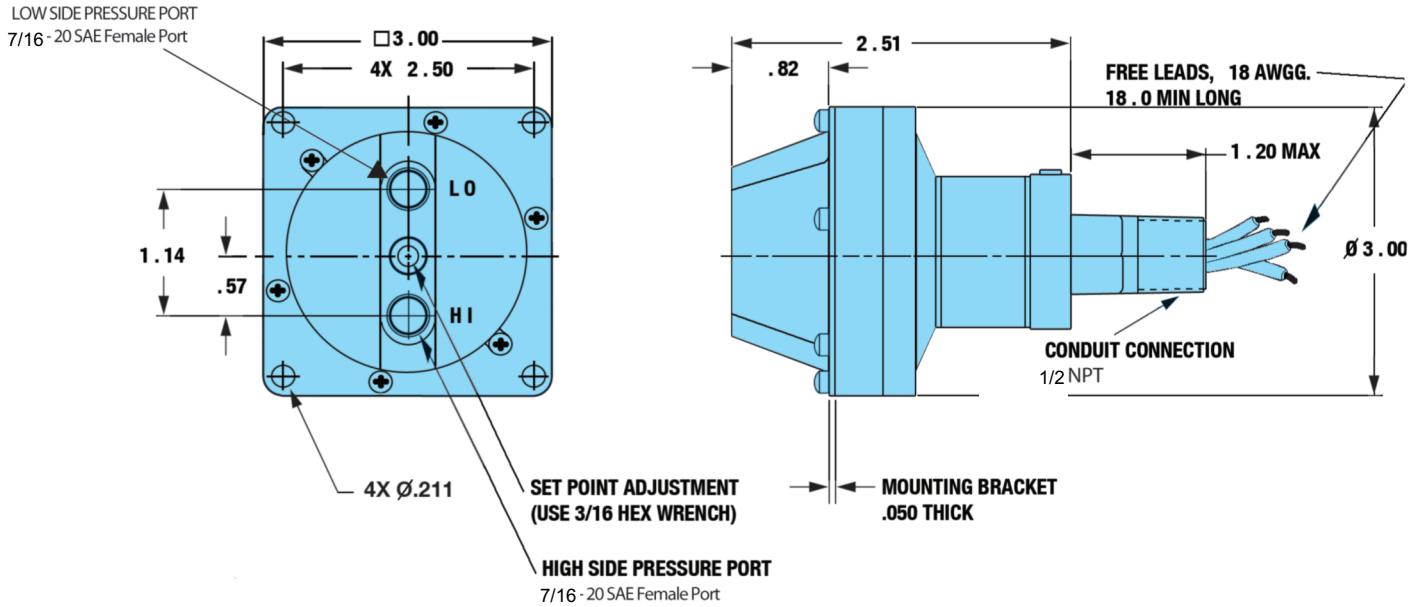
### Ordering Procedure

- When factory presetting is desired, stipulate set point, increasing or decreasing
- Insert available option number or letter designation as required

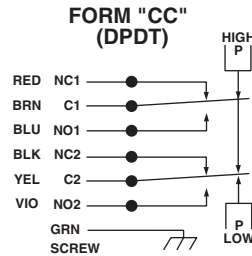
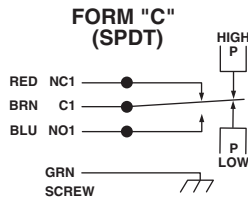
### Example



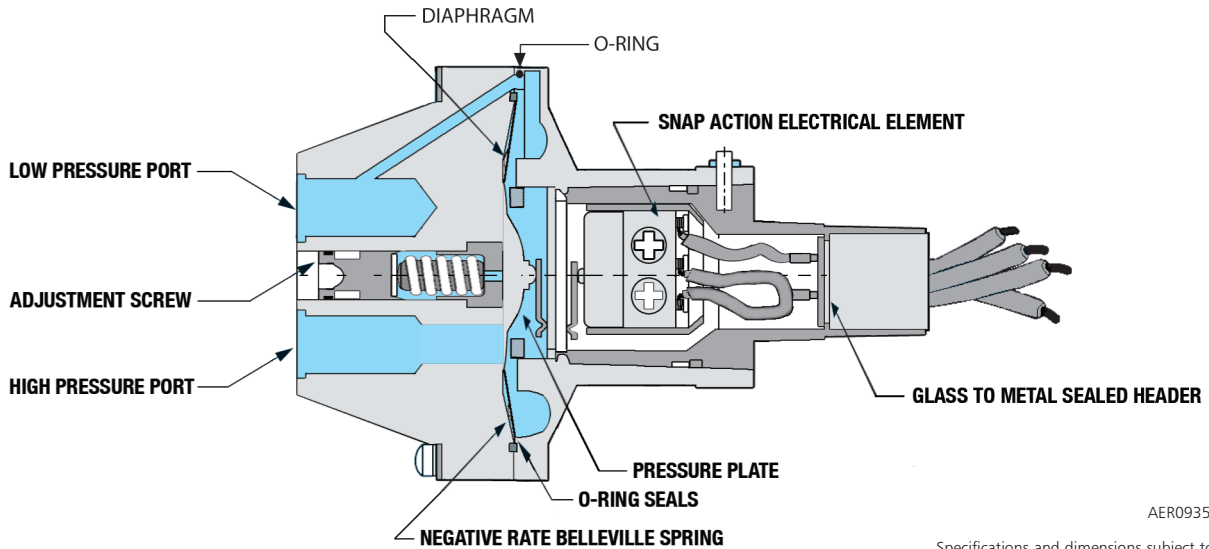
Envelope Dimensions



Electrical Form



Basic Principles of Design



AER0935\_32 6/12

Specifications and dimensions subject to change.