

Neo-Dyn® Series 182P Vacuum Switch / Tamper Resistant

Compact, versatile vacuum switch suited to numerous applications. Features efficient Nega-Rate® Belleville disc spring for stable set points and is field adjustable through the pressure port. Once adjustments are made and switch is installed, it becomes tamper proof.

Operating Pressure Data

Adjustable Range Number	Adjustable Set Point Range		Deadband (approximate)	Maximum Recommended System Pressure	Proof Pressure
	Increasing Vacuum	Decreasing Vacuum			
2	4" to 28" Hg	2" to 26" Hg	2" Hg	150	250

All values given in psig.

Standard Specifications

Electrical

Snap action electrical switch recognized by Underwriters' Laboratories, Inc. and CSA International

Electrical Connection

1/2 NPT male conduit connection with PVC insulated 18 AWG, 18" long leads

Pressure Connection

1/4 NPT Male

Temperature Range*

Ambient: -40°F to +180°F
(-40°C to +82°C)

Media: -40°F to +300°F
(-40°C to +149°C)

*Temperature limits change with O-Ring selection

Adjustment

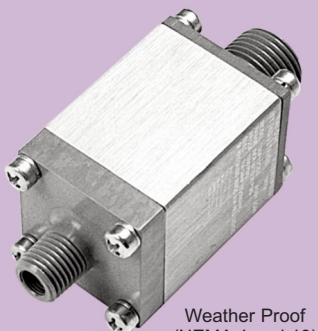
1/8" allen wrench through port

Shipping Weight

Approximately 8 ounces



Order Miscellaneous Option "D"



Weather Proof (NEMA 4 and 13)

Ordering Sequence — Select desired option for each category

OPTIONS

Wetted Material

- 1 Aluminum port, Teflon coated polyimide diaphragm, Buna-N O-Rings, stainless and cadmium plated steel
- 4 Stainless steel port, Teflon coated polyimide diaphragm and Buna-N O-Rings

Adjustable Vacuum Range

- 2 2" Hg dec. to 28" Hg inc. vacuum (.07 bar dec. to .95 bar inc.)

Electrical Form

- C 11 amp, 1/4 at 125 or 250 VAC; 5 amp resistive, 3 amp inductive 28 at VDC; .5 amp resistive at 125 VDC
- CC 11 amp, 1/4 at 125 or 250 VAC; 5 amp resistive, 3 amp inductive 28 at VDC; .5 amp resistive at 125 VDC

Enclosure

- 3 Meets or exceeds the requirements of NEMA Type 3, 3R, 3S, 4, 4X and 13

Miscellaneous

- A Epoxy paint exterior — extra protection for severe environments
- B Viton O-Ring
- C EPR O-Ring
- D SIL approval and marking, per IEC61508 (includes FMEA report)
- I 1/2 NPT Conduit box with terminal strip
- M Gold electrical contacts for extremely low current applications
- R 72" Electrical free leads
- X CE Mark

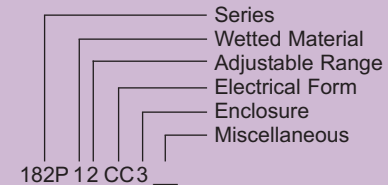
Special (Consult representative or factory)

- Non-catalog adjustable range and/or set point, deadband and proof pressure

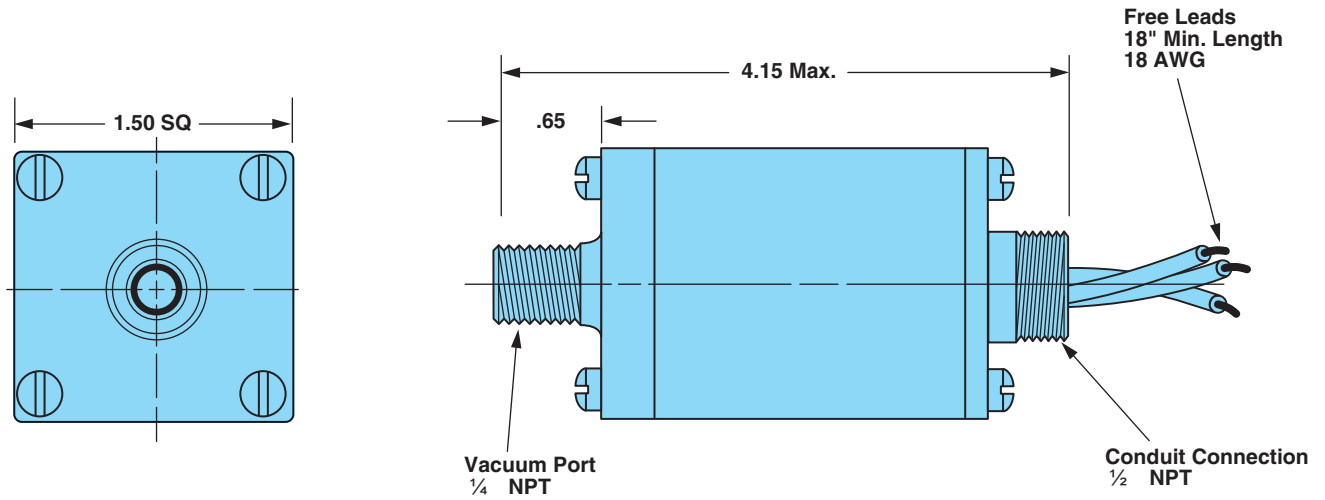
Ordering Procedure

- When factory presetting is desired, stipulate set point, increasing or decreasing
- Insert available option number or letter designation as required

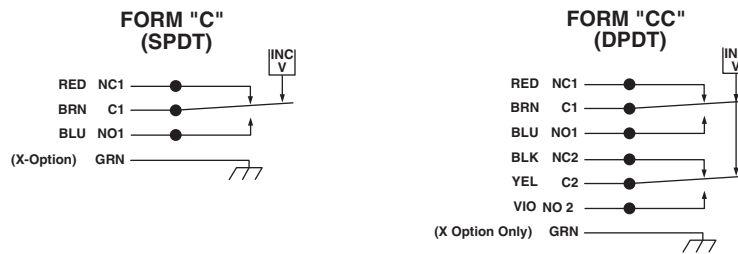
Example



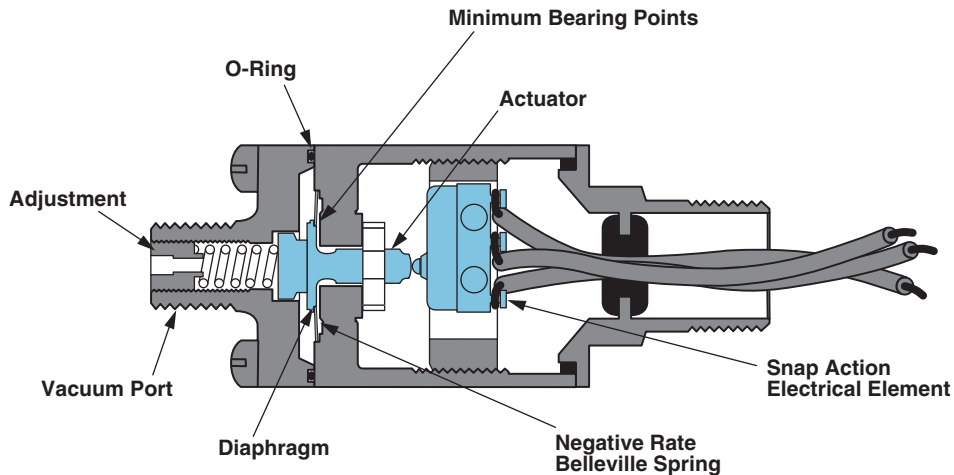
Envelope Dimensions



Electrical Form



Basic Principles of Design



AER0935_40 7/13

Specifications and dimensions subject to change.

Southgate Process Equipment, Inc.

87 Hickory Springs Industrial Drive
Canton, GA 30115
Ph: (770) 345-0010

Email: sales@southgatepe.com
Website: www.southgatepe.com

