

## Neo-Dyn® Series 201P Pressure Switch/External Adjustment

Versatile Nega-Rate® Belleville disc spring pressure switch for a wide range of applications. Series 201P (piston sensor) for hydraulic applications up to 10000 psig system pressure. Externally adjustable for convenient set point changes.

### Operating Pressure Data

Adjustable Range Number	Adjustable Set Point Range		Deadband† (approximate)		Maximum Recommended System Pressure	Proof Pressure
	Increasing	Decreasing	Min.	Max.		
2	20 to 220	14 to 202	6	18	3000	4500
3	200 to 1500	150 to 1275	50	225	7500	10000
6	500 to 3000	375 to 2700	125	300	7500	10000
8	1000 to 10000	800 to 9000	200	1000	10000*	15000**

All values given in psig.

†The deadband increases as the adjustable set point is increased.

\*Diminished safety factor equal to approximately 2:1.

\*\*Diminished safety factor equal to approximately 1.3:1.

### Standard Specifications

#### Electrical

Snap action electrical switch recognized by Underwriters' Laboratories, Inc. and CSA International

#### Electrical Connection

1/2 NPT female conduit connection with terminal block

#### Pressure Connection

Wetted Material 1  
1/4 NPT Female

#### Temperature Range\*

Ambient: -40°F to +180°F  
(-40°C to +82°C)

Media: -40°F to +300°F  
(-40°C to +149°C)

\*Temperature limits change with O-Ring selection

#### Adjustment

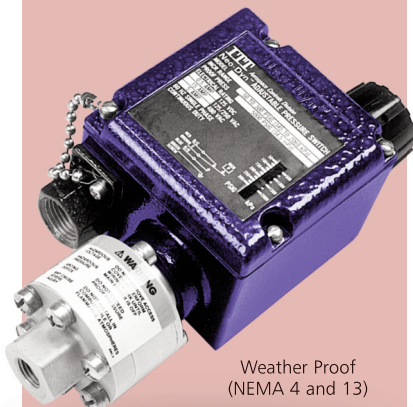
External screwdriver slot adjustment and range scale

#### Shipping Weight

Approximately 3 pounds



Order Miscellaneous Option "D"



Weather Proof  
(NEMA 4 and 13)

### Ordering Sequence — Select desired option for each category

#### OPTIONS

##### Wetted Material

1 Aluminum port and piston, Teflon seal and Buna-N O-Ring

##### Adjustable Range

2 14 psig dec. to 220 psig inc. (1.0 bar dec. to 15.2 bar inc.)  
 3 150 psig dec. to 1500 psig inc. (10.3 bar dec. to 103.4 bar inc.)  
 6 375 psig dec. to 3000 psig inc. (25.9 bar dec. to 206.9 bar inc.)  
 8 800 psig dec. to 10000 psig inc. (55.2 bar dec. to 689.5 bar inc.)

##### Electrical Form

C 15 amp at 125 or 250 VAC; 1/8 hp at 125 VAC; 1/4 hp at 250 VAC;  
 .5 amp resistive, .04 amp inductive 125 VDC  
 Z 15 amp at 125 or 250 VAC; 1/4 hp at 125 VAC; 1/2 hp at 250 VAC; 1 amp resistive,  
 .5 amp inductive 125 VDC

##### Enclosure

3 Meets or exceeds the requirements of NEMA Type 3, 3R, 3S, 4, 4X and 13

##### Miscellaneous

A Epoxy paint exterior — extra protection for severe environments  
 B Viton O-Ring  
 C EPR O-Ring  
 D SIL approval and marking, per IEC61508 (includes FMEA report)  
 E 7/16" - 20 SAE port  
 K External adjustment knob  
 L Neon indicator light — 115 VAC  
 M Gold electrical contacts for extremely low current applications  
 P 5-Pin Brad Harrison connector (Reduce AC electrical rating to 8 amps)  
 X CSA Certified with CE Mark (Not available with L or P option)

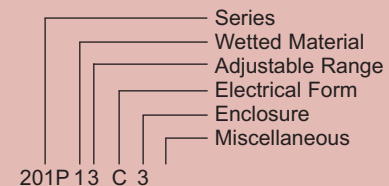
##### Special (Consult representative or factory)

- Non-catalog adjustable range and/or set point
- Media temperature capability from -65°F to +400°F
- Wide deadband
- 10 amps 125 VDC electrical rating

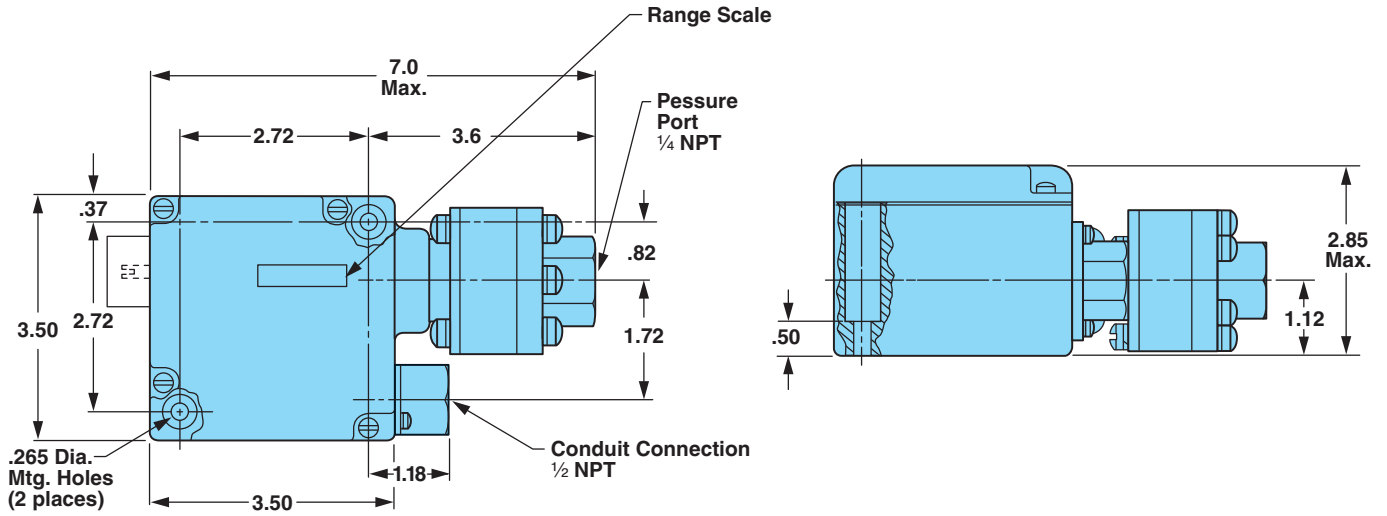
### Ordering Procedure

- When factory presetting is desired, stipulate set point, increasing or decreasing
- Insert available option number or letter designation as required

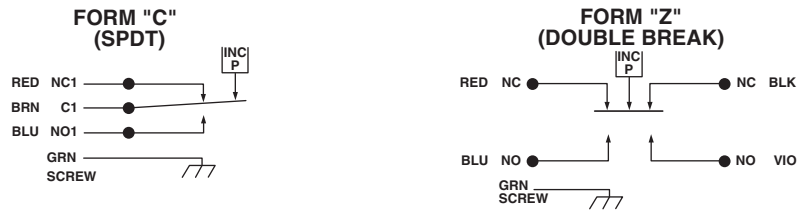
### Example



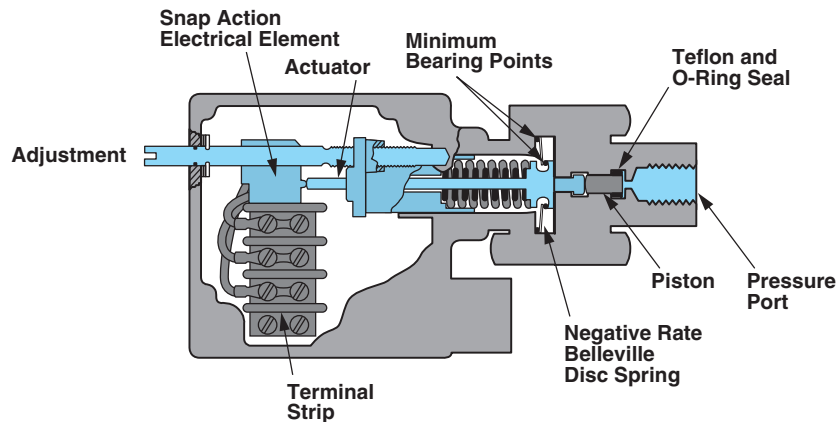
Envelope Dimensions



Electrical Form



Basic Principles of Design



AER0935\_45 7/13

Specifications and dimensions subject to change.