

## Neo-Dyn® Series 232P Pressure Switch/Internal Adjustment

Compact, adjustable pressure switch for high pressure hydraulic process applications. Efficient Nega-Rate® Belleville disc spring for set point stability and vibration resistance. Stainless steel wetted materials and hermetically sealed, explosion-proof electricals make this switch ideally suited for hazardous and corrosive media or environments.

### Operating Pressure Data

Adjustable Range Number	Adjustable Set Point Range		Deadband (approximate)	Maximum Recommended System Pressure	Proof Pressure
	Increasing	Decreasing			
1	50 to 275	25 to 250	25	5000	7500
2	200 to 1000	75 to 875	125	6500	9750
3	1000 to 3100	700 to 2800	300	6500	9750
4	2800 to 6000	2300 to 5500	500	10000	13500
5	5500 to 8500	4900 to 7900	600	10000	13500
6	7000 to 10000	6000 to 9000	1000	12500	15000

All values given in psig.

### Standard Specifications

#### Electrical

Snap action electrical switch assemblies, Part Numbers 057-0770 & 057-0772 (Form C) and 057-0771 & 057-0773 (Form CC), are listed by Underwriters' Laboratories, Inc., FM Approvals, CSA International and NCC (INMETRO). See the miscellaneous option N for additional listings.

#### Electrical Connection

1/2 NPT male conduit connection with PVC insulated 18 AWG, 18" long leads

#### Pressure Connection

1/4 NPT Female

#### Temperature Range\*

Ambient: -40°F to +180°F  
(-40°C to +82°C)

Media: -40°F to +250°F  
(-40°C to +121°C)

\* Temperature limits change with O-Ring selection. See Electrical Assembly specification sheet for Temperature Class Ratings

#### Adjustment

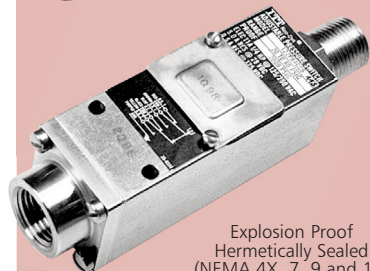
Internal, slotted adjustment nut with range scale

#### Shipping Weight

Approximately 20 ounces



Order Miscellaneous Option "D"



Explosion Proof  
Hermetically Sealed  
(NEMA 4X, 7, 9 and 13)

### Ordering Sequence — Select desired option for each category

#### OPTIONS

##### Wetted Material

**4** 316 stainless steel port and piston, Buna-N O-Ring

##### Adjustable Range

- 1** 25 psig dec. to 275 psig inc. (1.7 bar dec. to 19.0 bar inc.)
- 2** 75 psig dec. to 1000 psig inc. (5.2 bar dec. to 69.0 bar inc.)
- 3** 700 psig dec. to 3100 psig inc. (48.3 bar dec. to 213.7 bar inc.)
- 4** 2300 psig dec. to 6000 psig inc. (158.6 bar dec. to 413.7 bar inc.)
- 5** 4900 psig dec. to 8500 psig inc. (337.9 bar dec. to 586.1 bar inc.)
- 6** 6000 psig dec. to 10000 psig inc. (413.7 bar dec. to 689.5 bar inc.)

##### Electrical Form

- C** 11 amp, 1/4 hp at 125 or 250 VAC; 5 amp resistive, 3 amp inductive at 28 VDC; .5 amp resistive at 125 VDC
- CC** 11 amp, 1/4 hp at 125 or 250 VAC; 5 amp resistive, 3 amp inductive at 28 VDC; .5 amp resistive at 125 VDC

##### Enclosure

- 6** Includes an explosion proof, hermetically-sealed electrical assembly. EX d IIC. Division 1 and 2, Class I, Groups A, B, C, and D; Class II, Groups E, F, and G. NEMA 4X, 7, and 9; IP66. Leads are factory sealed and Pressure Switches are Dual Seal Certified.

##### Miscellaneous

- A** Epoxy paint exterior — extra protection for severe environments
- B** Viton O-Ring
- C** EPR O-Ring
- D** SIL approval and marking, per IEC61508 (includes FMEA report)
- E** 7/16" - 20 SAE Female Port
- G** 1/2 NPT Female Port
- H** 316 stainless steel body
- I** 3/4 NPT conduit box with terminal strip (Groups C & D only, not available with N option)
- J** Annealed stainless steel port screws for H<sub>2</sub>S environments — Consult factory (Not available with range 4,5 & 6)
- M** Gold electrical contacts for extremely low current applications (1 Amp at 125 VAC; 1 Amp Res, 0.5 Amp Ind. at 28 VDC)
- N** ATEX and IECEx with CE Mark
- R** 72" Electrical free leads

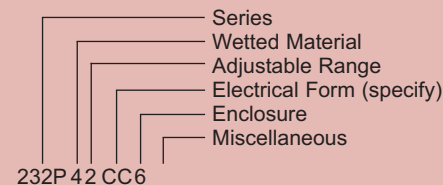
##### Special (Consult representative or factory)

- Non-catalog adjustable range and/or set point, deadband and proof pressure

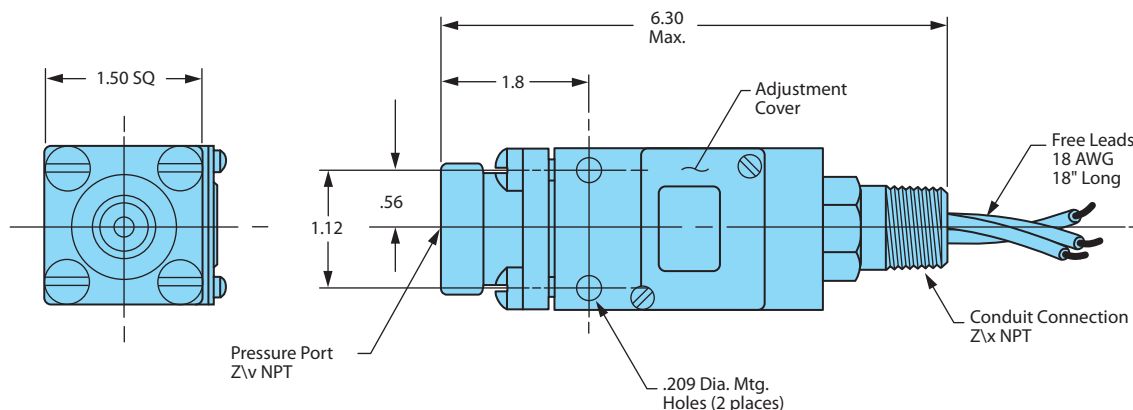
### Ordering Procedure

- When factory presetting is desired, stipulate set point, increasing or decreasing
- Insert available option number or letter designation as required

### Example

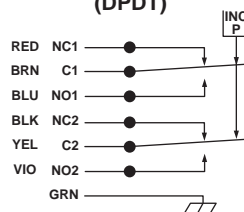


Envelope Dimensions

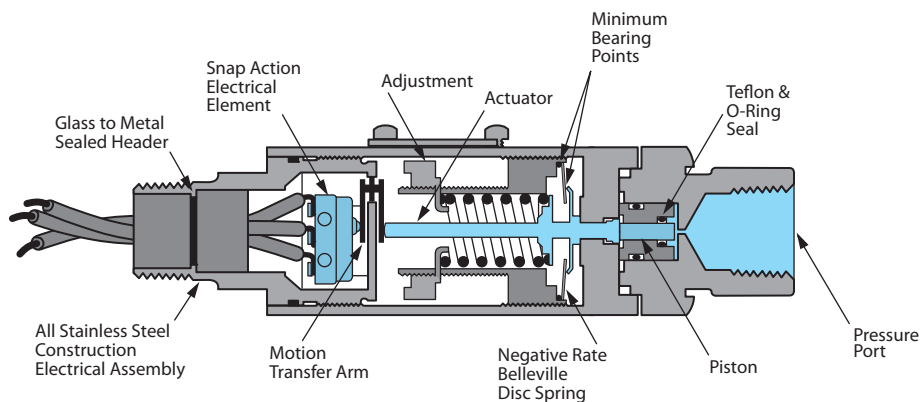


Electrical Form

FORM "CC"  
(DPDT)



Basic Principles of Design



AER0935\_51 11/19

Specifications and dimensions subject to change.