



# AirEx ARX

AIR COOLED HEAT EXCHANGERS

**Southgate Process Equipment, Inc.**

87 Hickory Springs Industrial Drive  
Canton, GA 30115

Phone: (770) 345-0010

Email: [Sales@southgatepe.com](mailto:Sales@southgatepe.com)

Website: [www.southgatepe.com](http://www.southgatepe.com)

**S**outhgate  
Process Equipment, Inc.

**Standard Xchange**  
a xylem brand

# AirEx ARX Heat Exchangers

When you're looking for a compact, well-constructed, dependable air cooled unit, turn to AirEx ARX.

## FEATURES INCLUDE:

- Non-louvered fin design provides high heat transfer rates, prevents clogging and is easy to clean
- Low noise options offer slower fan speeds for reduced noise level and lower fan hp requirements
- Thermally efficient. Up to 65% smaller than fin tube designs
- Rugged bar and plate construction

We have the broadest range of heat exchangers to choose from to suit your application. For assistance in determining the appropriate design for your application, contact your Standard Xchange representative.

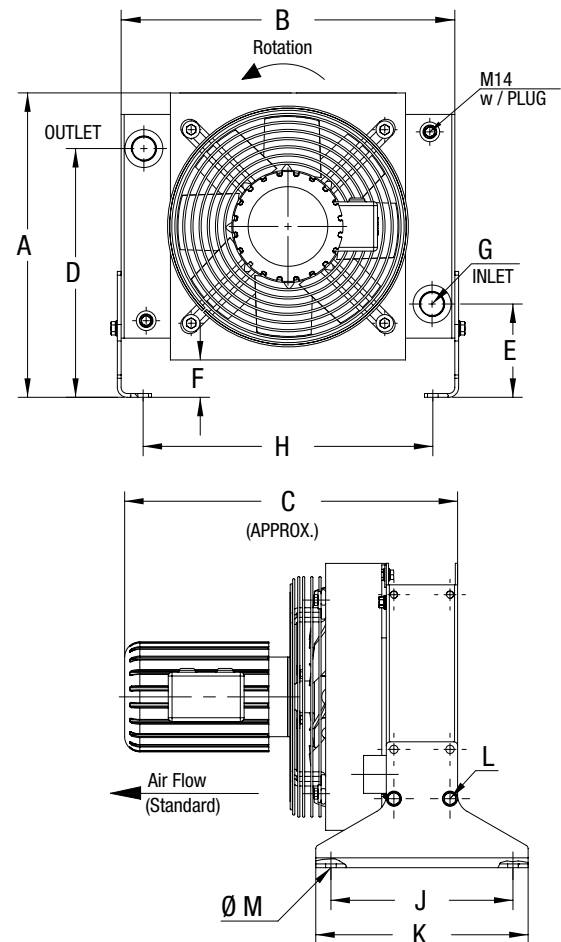
## SPECIFICATIONS

### Ratings

Max. Working Pressure (ARX5 through ARX130).....377 psi  
 Max. Working Pressure (ARX160 through ARX275) ...250 psi  
 Max. Working Temperature ..... 250°F

### Materials

Cooler..... Aluminum Shroud..... Powder, Painted Steel  
 Fan Guard .....Zinc, Plated Steel  
 Fan Blade .....Polypropylene Blades / Aluminum Hub  
 Mounting Brackets..... Powder, Painted Steel



## ARX/ARXL SERIES DIMENSIONS

Model Size	A	B	C (Approx.)	D	E	F	G	H	J	K	L	M
ARX/ARXL5	13.74	13.78	12.56	11.38	4.37	1.97	#12 SAE 1 1/16-12 UN-2B	11.93	7.09	8.66	M6-1 X12MM Bolt (4 PL)	Ø 0.55
ARX/ARXL8	14.25	13.78	13.27	11.85	4.84	2.48	#12 SAE 1 1/16-12 UN-2B	11.93	7.09	8.66		Ø 0.55
ARX/ARXL10	15.91	15.75	14.50	12.54	4.87	1.50	#16 SAE 1 5/16-12 UN-2B	13.86	7.09	8.66	M8-1.25 X16MM Bolt (4 PL)	Ø 0.55
ARX/ARXL15	15.91	16.54	16.00	12.15	5.26	1.50	#16 SAE 1 5/16-12 UN-2B	14.65				Ø 0.55
ARX/ARXL20	19.6	21.65	15.50	16.24	4.87	1.50	#20 SAE 1 5/8-12 UN-2B	19.76				Ø 0.55
ARX/ARXL30	24.03	25.59	16.75	20.63	4.88	1.50	#20 SAE 1 5/8-12 UN-2B	23.70				Ø 0.55
ARX/ARXL40	24.03	26.38	18.00	17.68	7.84	1.50	#20 SAE 1 5/8-12 UN-2B	24.49	10.24	11.81	M10-1.5 X20MM Bolt (8 PL)	Ø 0.55
ARX/ARXL55	25.89	30.31	19.50	19.50	7.84	1.50	#20 SAE 1 5/8-12 UN-2B	28.32	10.24	11.81		Ø 0.55
ARX/ARXL70	30.19	36.22	21.80	23.00	10.69	1.50	2" SAE 4-Bolt FLANGE	34.22	21.10	22.64	M12-1.75 X25MM Bolt (8 PL)	Ø 0.55
ARX/ARXL90	30.19	37.01	23.30	21.00	10.69	1.50		35.01	21.10	22.64		Ø 0.55
ARX/ARXL105	33.26	38.98	23.40	24.07	10.69	1.50		36.98	21.10	22.64		Ø 0.55
ARX/ARXL130	37.56	40.94	25.10	29.27	9.80	1.50		39.06	21.10	22.64		Ø 0.55
ARX/ARXL160	38.40	43.62	29.50	31.27	9.94	2.00	3" SAE 4-Bolt FLANGE	40.17	14.72	17.72	3/4-10 x 1.75 Bolt (8 PL)	Ø 0.75
ARX/ARXL215	46.96	49.49	30.80	36.03	12.73	2.00		48.22	15.70	18.70		Ø 0.75
ARX/ARXL275	59.76	53.68	30.70	43.62	17.56	2.00		50.34	17.67	20.67		Ø 0.75

Dimensions are in inches. We reserve the right to make reasonable design changes without notice. Weights are in pounds.



## Southgate Process Equipment, Inc.

87 Hickory Springs Industrial Drive  
 Canton, GA 30115  
 Phone: (770) 345-0010

Email: [Sales@southgatepe.com](mailto:Sales@southgatepe.com)

Website: [www.southgatepe.com](http://www.southgatepe.com)

